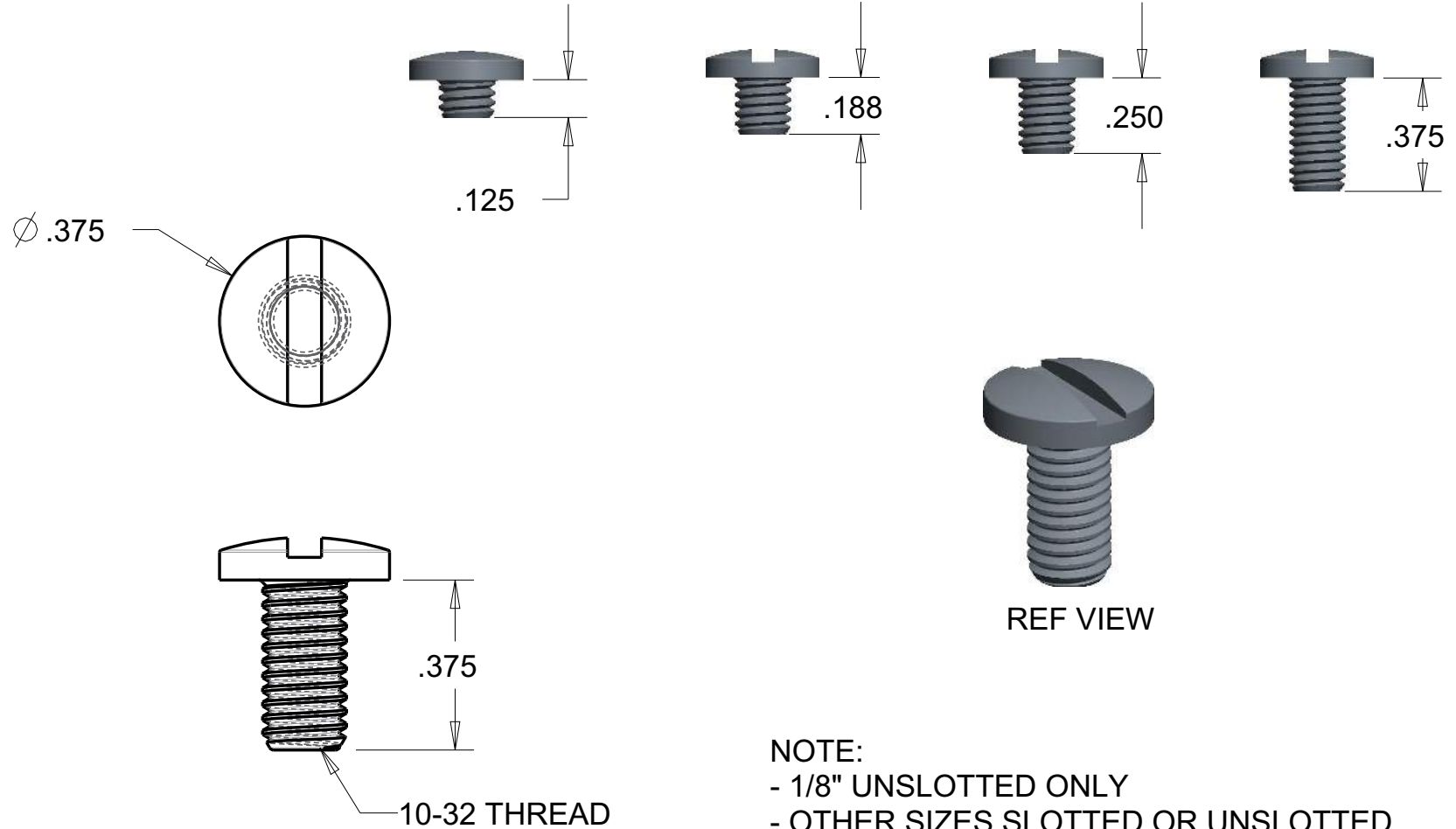


REF VIEW

NOTE:
 - 1/8" UNSLOTTED ONLY
 - OTHER SIZES SLOTTED OR UNSLOTTED

					DIM ARE IN INCHES DIM IN [] ARE IN MM UNITS IN [] ARE ISO METRIC EXCEPT AS NOTED		DWN CHK REL		DATE May-13-15		DWG. NO. POST SPLS-U SERIES		
					TOLERANCES: X.XX± 0.01 X.XXX± 0.001 ANGLES± 0.5		TITLE: POST - SMALL-HEAD SLOTTED & UNSLOTTED						
					MATL -		TREAT		POPCO INC.				
					NOTICE - POPCO INC. CLAIMS PROPRIETARY RIGHTS IN THE INFORMATION DISCLOSED ON THIS DRAWING. IT IS ISSUED IN CONFIDENCE FOR ENGINEERING INFORMATION ONLY AND MAY NOT BE REPRODUCED OR USED TO MANUFACTURE ANYTHING SHOWN HEREON WITHOUT DIRECT WRITTEN PERMISSION FROM POPCO INC. TO THE USER.							ECO# - SCALE: 1.500	
					ESTIMATED WEIGHT: [.]LB.							DWG NO: A	
REV	DESCRIPTION	DATE	ECO#	CHG NOTICE									



				DIM ARE IN INCHES DIM IN [] ARE IN MM UNITS IN [] ARE ISO METRIC EXCEPT AS NOTED		DWN CHK REL	DATE May-13-15	DWG. NO. SCREW SPLS-U SERIES	
				MATL	TOLERANCES: X.XXX± 0.01 X.XXX± 0.001 ANGLES± 0.5		TITLE: SCREW- SMALL-HEAD SLOTTED & UNSLOTTED		
				HARD	TREAT	POPCO INC.			
				NOTICE - POPCO INC. CLAIMS PROPRIETARY RIGHTS IN THE INFORMATION DISCLOSED ON THIS DRAWING. IT IS ISSUED IN CONFIDENCE FOR ENGINEERING INFORMATION ONLY AND MAY NOT BE REPRODUCED OR USED TO MANUFACTURE ANYTHING SHOWN HEREON WITHOUT DIRECT WRITTEN PERMISSION FROM POPCO INC. TO THE USER.				ECO# -	SCALE: 3.000
REV	DESCRIPTION	DATE	ECO#	CHG	NOTICE	ESTIMATED WEIGHT: [.]LB.		DWG NO: A	