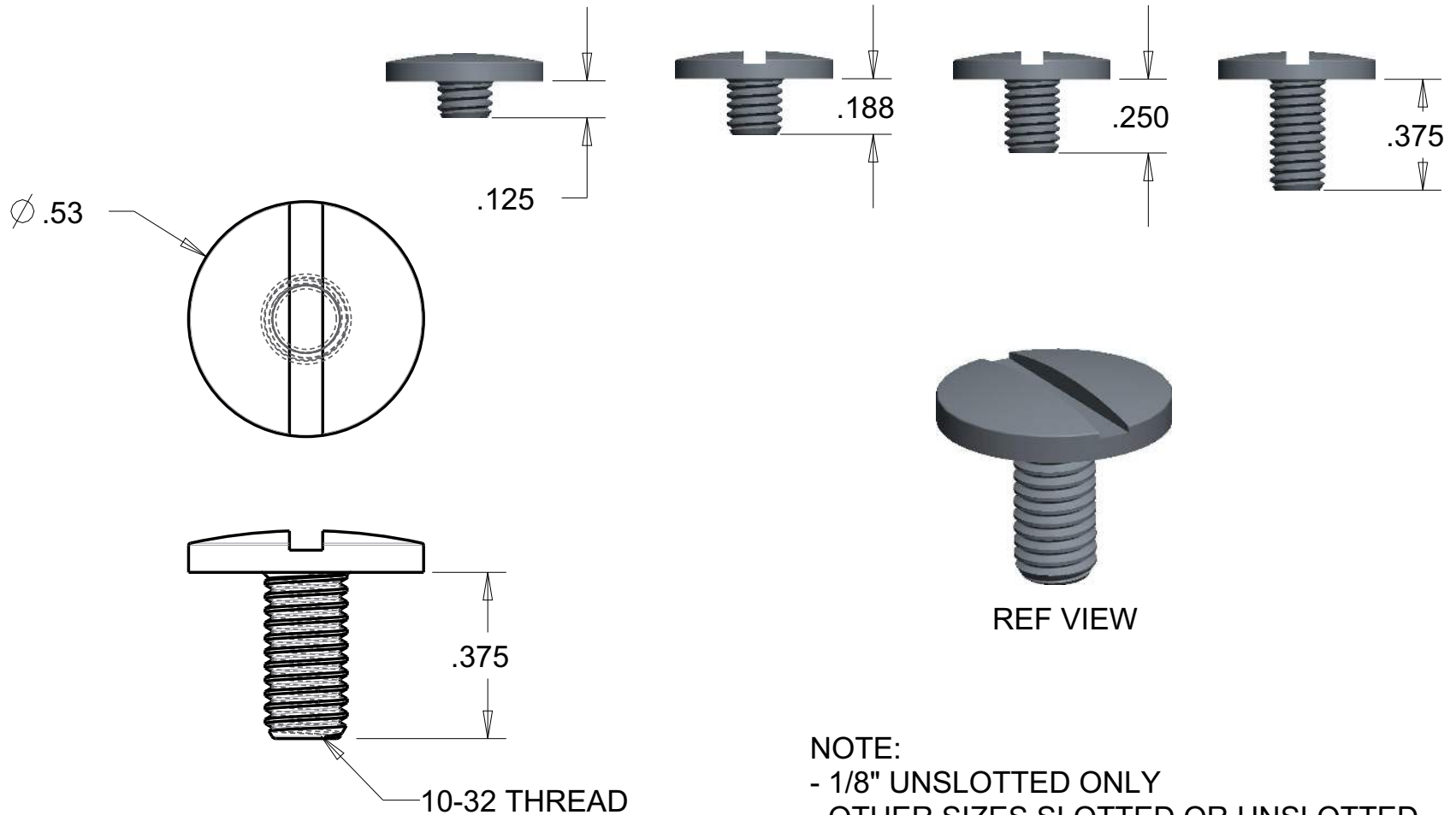


NOTE:  
 - 1/8" UNSLOTTED ONLY  
 - OTHER SIZES SLOTTED OR UNSLOTTED

					DIM ARE IN INCHES DIM IN [ ] ARE IN MM UNITS IN [ ] ARE ISO METRIC EXCEPT AS NOTED		DWN CHK REL		DATE May-13-15	DWG. NO. POST MPLS-U SERIES	
					TOLERANCES: X.XXX± 0.01 X.XXX± 0.001 ANGLES± 0.5				TITLE: POST - LARGE-HEAD SLOTTED & UNSLOTTED		
					HARD MATL		TREAT		POPCO INC.		
					NOTICE - POPCO INC. CLAIMS PROPRIETARY RIGHTS IN THE INFORMATION DISCLOSED ON THIS DRAWING. IT IS ISSUED IN CONFIDENCE FOR ENGINEERING INFORMATION ONLY AND MAY NOT BE REPRODUCED OR USED TO MANUFACTURE ANYTHING SHOWN HEREON WITHOUT DIRECT WRITTEN PERMISSION FROM POPCO INC. TO THE USER.						
REV	DESCRIPTION	DATE	ECO#	CHG NOTICE			ECO# -		SCALE: 1.500		
							ESTIMATED WEIGHT: [.1] LB.		DWG NO: A		



NOTE:  
 - 1/8" UNSLOTTED ONLY  
 - OTHER SIZES SLOTTED OR UNSLOTTED

				DIM ARE IN INCHES DIM IN [ ] ARE IN MM UNITS IN [ ] ARE ISO METRIC EXCEPT AS NOTED		DWN CHK REL	DATE May-13-15	DWG. NO. SCREW MPLS-U SERIES
				MATL	-	TOLERANCES: X.XX± 0.01 X.XXX± 0.001 ANGLES± 0.5		TITLE: SCREW - LARGE-HEAD SLOTTED & UNSLOTTED
				HARD		TREAT		POPCO INC.
				NOTICE - POPCO INC. CLAIMS PROPRIETARY RIGHTS IN THE INFORMATION DISCLOSED ON THIS DRAWING. IT IS ISSUED IN CONFIDENCE FOR ENGINEERING INFORMATION ONLY AND MAY NOT BE REPRODUCED OR USED TO MANUFACTURE ANYTHING SHOWN HEREON WITHOUT DIRECT WRITTEN PERMISSION FROM POPCO INC. TO THE USER.				ECO# - SCALE: 3.000
REV	DESCRIPTION	DATE	ECO#	CHG NOTICE	ESTIMATED WEIGHT: [.]LB.			DWG NO: A