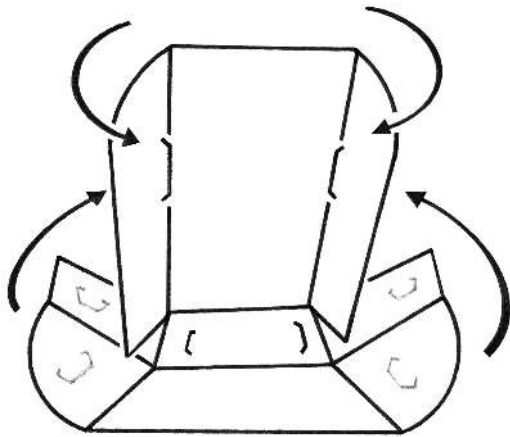


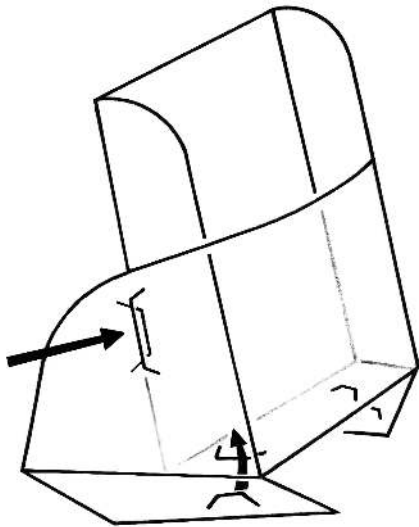
installation instructions

STAND-UP LITERATURE BOX



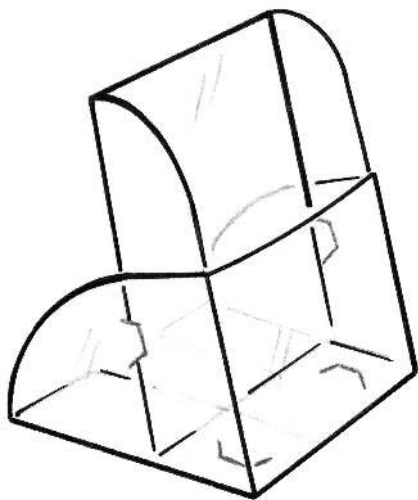
step 1

Crease all folds and form the box.



step 2

Insert the tabs into the slots to lock the box into final form.



final

The completed box will look like this.

PATENT # D410,686