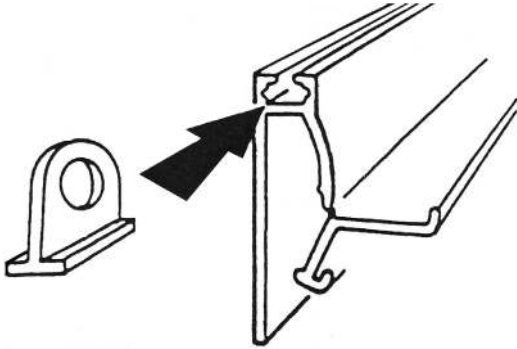


installation instructions

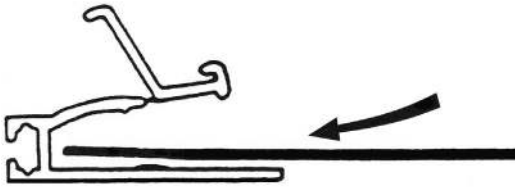
# SNAPRAIL™



## step 1

Insert banner clips into both ends of the SNAPRAIL™ to create hanging points.

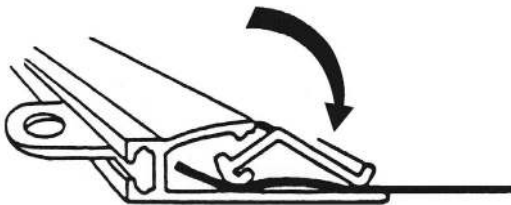
This is only necessary on the top SNAPRAIL™.



## step 2

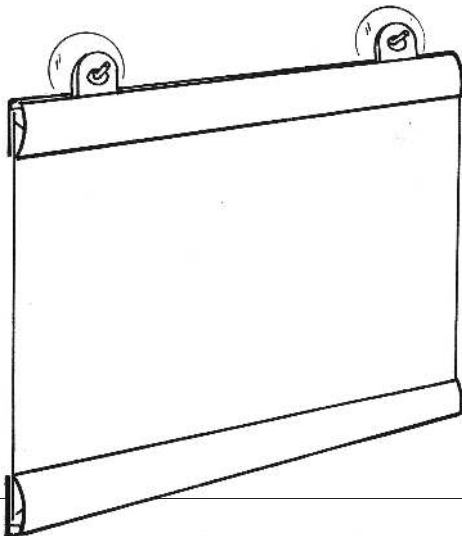
Place the SNAPRAIL™ on a flat surface. Open the hinged "door" and fully insert the sign stock.

NOTE: SNAPRAIL™ is designed to close easily only when sign stock is inserted as shown. Use on sign stock up to .090" thick.



## step 3

Close the hinged "door" to lock the sign into the SNAPRAIL™. Start by pressing down in the center and working towards the outside.



## step 4

Hang your completed sign. The completed unit should resemble this illustration, which shows a SNAPRAIL™ in position on both the top and bottom of the sign, and hung with suction cups with hooks.

PATENTED