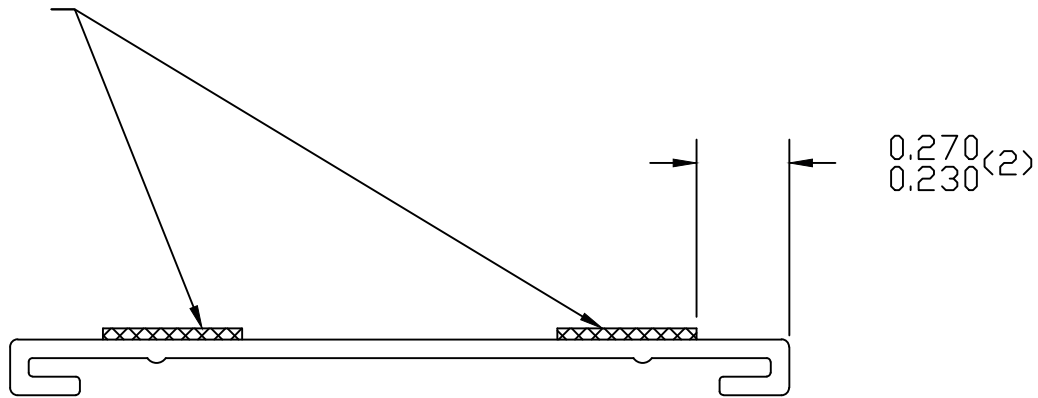


1/2" TAPE PER ORDER



REVISIONS					
NO.	REV.	DATE			
1.	Added tape dim.	02/22/08	2" C-CHANNEL		
			DATE	SCALE	DRAWING NO.
			03/21/03	2X	EP1849T2
			BY GAG	APRV'D	