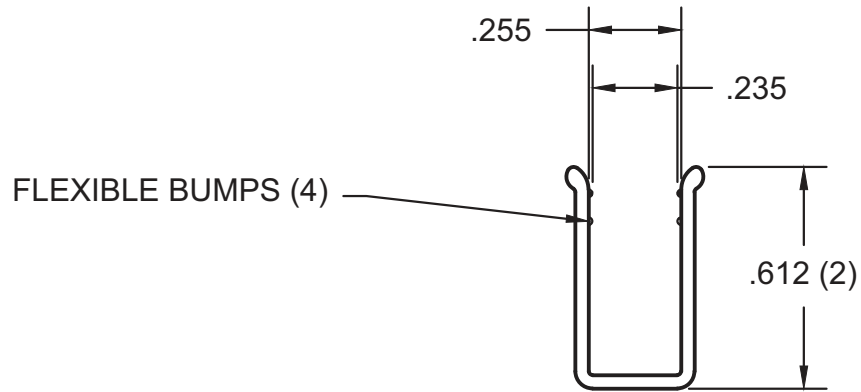


1:1 SCALE



WALL = .037

REV.	DESCRIPTION	MODIFIED BY	DATE	 MINNETONKA, MN		FOAM CORE EDGING				
A	REVISED WALL AND DIMENSIONS PER REQUEST	SBP	05/20/11			SCALE	2:1	PART NO.		SIZE
B	BEADS INSTEAD OF PAD PER REQUEST	SBP	05/20/11	DRAWN	SBP	APPROVED		DATE	05/18/11	
							DRAWING NO.	EP2643	REV	B