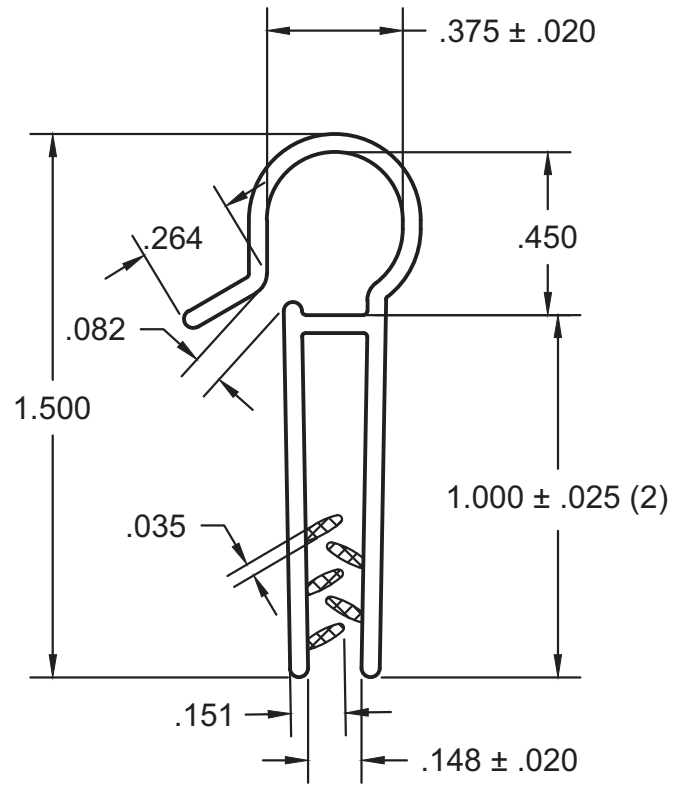


1:1 SCALE



WALL = .050

REV.	DESCRIPTION	MODIFIED BY	DATE	popco inc. MINNETONKA, MN		WIRE CLIP		SCALE	PART NO.	SIZE
								2:1		A
				DRAWN	APPROVED	DATE	DRAWING NO.			REV
				SBP		05/03/21	EP3058			