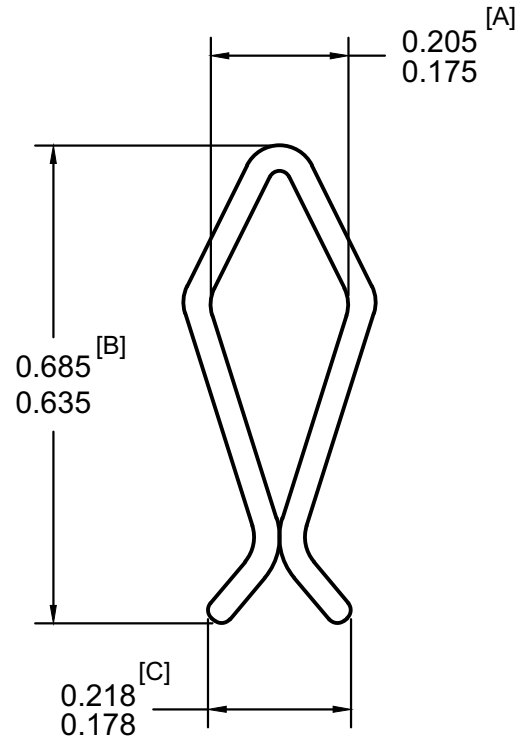




1:1 SCALE



[D]
WALL = .035

REV.	DESCRIPTION	MODIFIED BY	DATE	popco inc.		RAIL NO. 3		
A	DIM [B] WAS .675/.645	SBP	09/02/10	MINNETONKA, MN		SCALE 4:1	PART NO.	SIZE A
				DRAWN SBP	APPROVED	DATE 09/02/10	DRAWING NO. EP1862	REV A