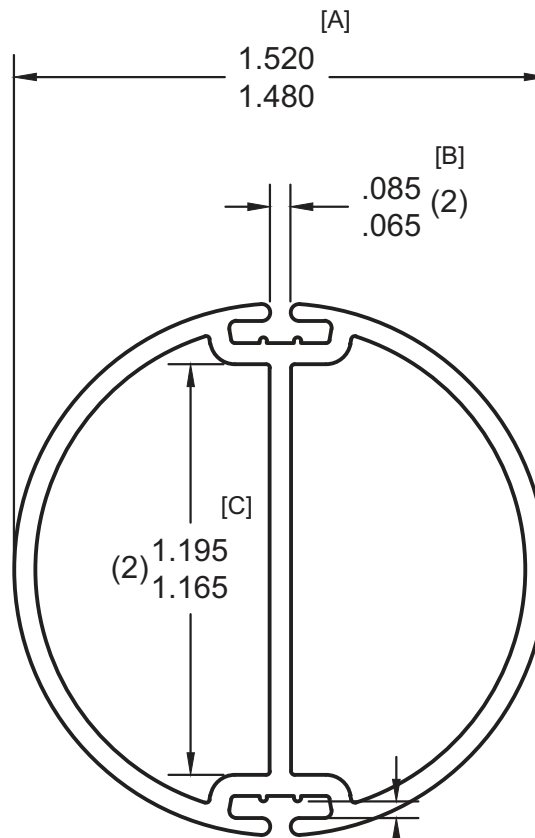


1:1 SCALE



See Fit Gauge Requirements (2)

[D]

WALL = .060

REV.	DESCRIPTION	MODIFIED BY	DATE	popco inc.		1.5" GROOVED TUBE		
A	ADDED CONTROL SPECS	SBP	08/08/16	MINNETONKA, MN		SCALE 2:1	PART NO.	SIZE A
				DRAWN SBP	APPROVED	DATE 06/27/16	DRAWING NO. EP2858	REV A