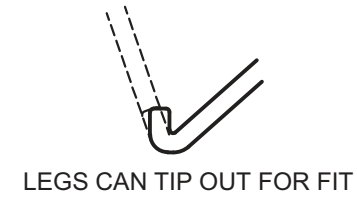
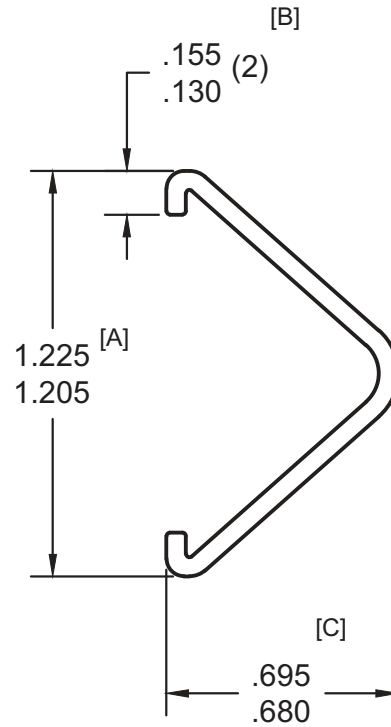
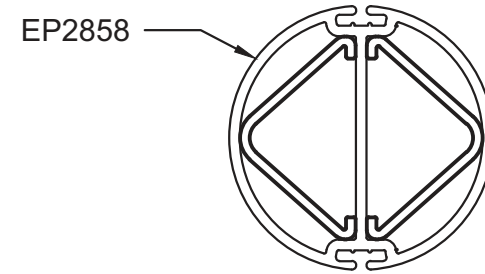




1:1 SCALE



[D]  
WALL = .055

REV.	DESCRIPTION	MODIFIED BY	DATE	popco inc.		"L" SPLINT		SIZE
A	ADDED CONTROL SPECS	SBP	08/05/16	MINNETONKA, MN		SCALE 2:1	PART NO.	A
B	MODIFIED CONTROL SPECS ADDED NOTE	SBP	08/17/16					
				DRAWN SBP	APPROVED	DATE 06/27/16	DRAWING NO. EP2859	REV B