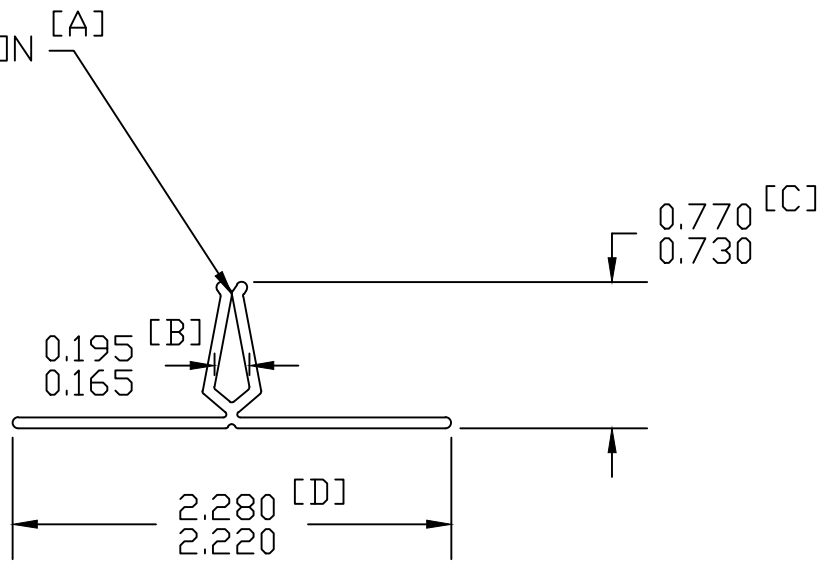


SEE ORDER FOR GAP DIMENSION [A]



WALL=.056 TYP.

1. [] CONTROL SPEC.

REVISIONS				
NO.	REV.			
1	Add gap note	2 1/4" CARDHOLDER		
		DATE	SCALE	DRAWING NO.
		10/25/91	FULL	EP1717
		BY	APRV'D	