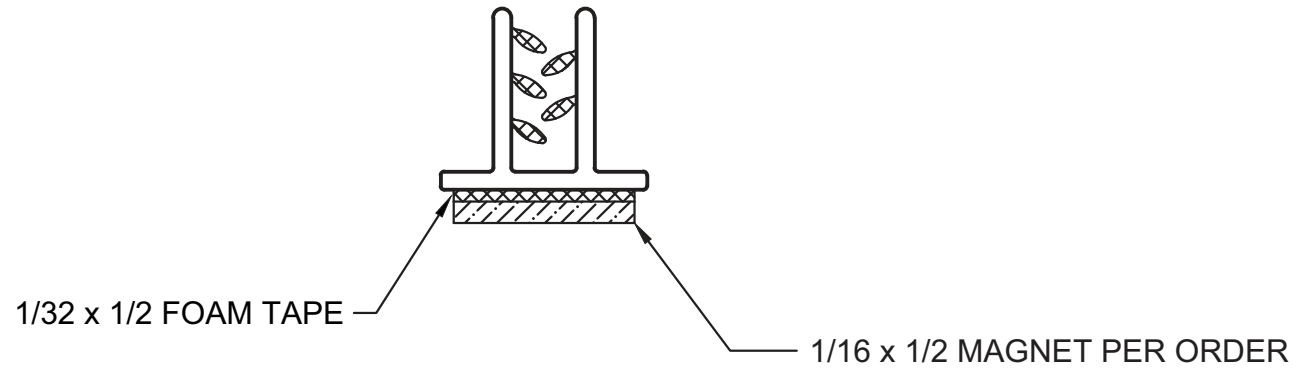




1:1 SCALE



REV.	DESCRIPTION	MODIFIED BY	DATE	popco ^{inc.} MINNETONKA, MN				FNF MAGNET	
						SCALE 2:1	PART NO.	SIZE A	
				DRAWN SBP	APPROVED	DATE 03/04/15	DRAWING NO. EP2302T2	REV	